

DECORATIVE STREET LAMPS AND POSTS RFQ
CITY OF OWOSSO, MICHIGAN

INSTRUCTIONS TO BIDDERS:

Sealed bids will be received the City of Owosso for the Decorative Street Lamps and Posts bid and should be addressed to Bid Coordinator, City of Owosso, 301 W. Main, Owosso, Michigan 48867 and will be accepted until 3:00 p.m. Tuesday, January 28, 2014 for the Decorative Street Lamps and Posts bid.

Be sure to mark the outside of the sealed envelope in the lower right hand corner “**DECORATIVE STREET LAMPS & POSTS**”.

Major items include approximately 12 decorative posts and fixtures.

Documents and specifications may be obtained at City of Owosso, City Hall, 301 W. Main St., Owosso, MI 48867, (989) 725-0550; on our website at www.ci.owosso.mi.us; and from the MITN website at www.min.info.

For more information, contact Mark A. Sedlak at (989) 725-0550 or at mark.sedlak@ci.owosso.mi.us Monday through Friday, 9 a.m. to 5 p.m.

The City reserves the right to accept any proposal, or to reject any proposal; to waive irregularities in a proposal; or to negotiate if it appears to be in the best interest of the City of Owosso.

Specifications

Items: 12 Decorative Street Lamps with Poles

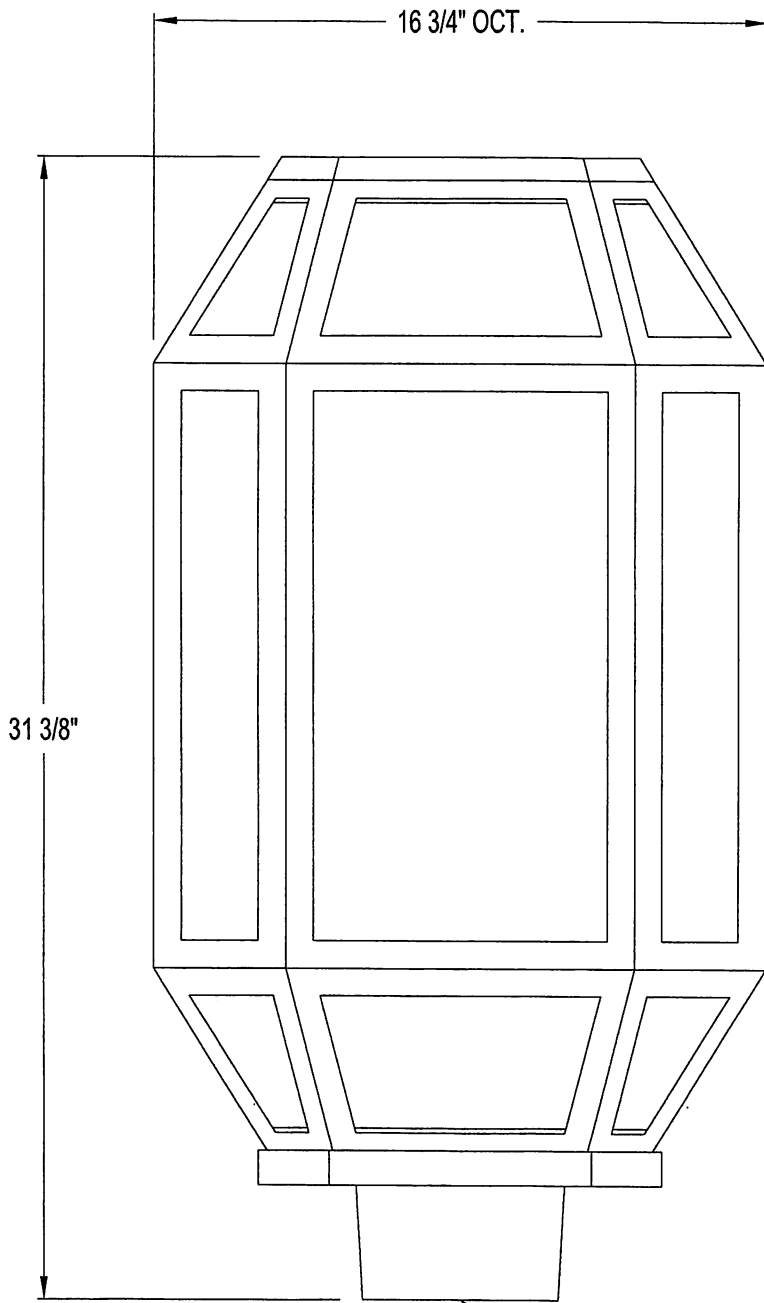
Description: Post: Wayzata 12' post w/GFI per drawing #LP-264518, dark bronze finish.
Lamps: Duluth Luminaire #ALMDLTP-100WHPS-Mogul Base-24 OV-Type 5 Glass. Refractor - bronze tinted lens - dark bronze finish to match pole.

Price quoted shall include shipping costs.

Deliver to 522 Milwaukee St., Owosso, Michigan 48867

Contact Mark A. Sedlak @ 989.725.0551 or mark.sedlak@ci.owosso.mi.us for more information.

This drawing is the property of Spring City Elect. Mfg. Co. and is issued to the recipient with the understanding that it shall not be copied, duplicated, passed on to unauthorized parties, nor used for any purpose other than that for which it is specifically furnished except with Spring City's written permission.



31 3/8"

16 3/4" OCT.

LUMINAIRE SPECIFICATIONS

STYLE: DULUTH
 HEIGHT: 31 3/8"
 WIDTH: 16 3/4" OCTAGONAL
 MATERIAL: CAST ALUMINUM ALLOY ANSI 356 PER A.S.T.M. B26-95
 PANELS: POLYCARBONATE (PLO) CLEAR (WHP) WHITE OTHER _____
 FINISH: PRIME PAINT THEN FINISH SHERWIN WILLIAMS ACROLOX - PLEASE ADVISE COLOR
 LAMPING: _____ WATT HPS MH MV INC OTHER _____
 VOLTAGE: 120 208 240 277 480 QUAD
 SOCKET: MEDIUM BASE MOGUL BASE OTHER _____

TO ACCEPT A 4 1/2" DIA. X 3" HIGH TENON



Spring City Electrical Mfg. Co.

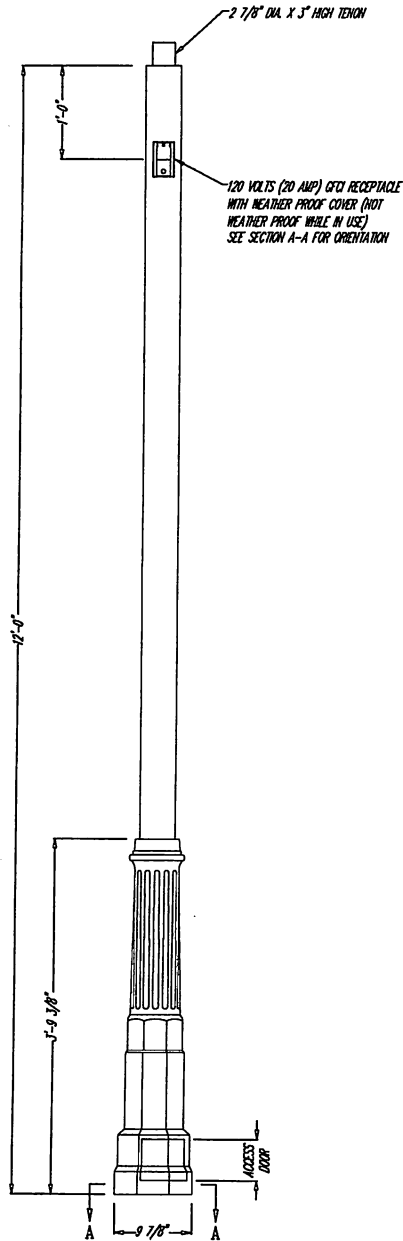
HALL AND MAIN STREETS - P.O. BOX 19 - SPRING CITY, PA. 19475
 PHONE (610) 948-4000 FAX (610) 948-5577
 E-mail ADDRESS: sales@springcity.com

DESCRIPTION

ALMDLT-P__

PDF

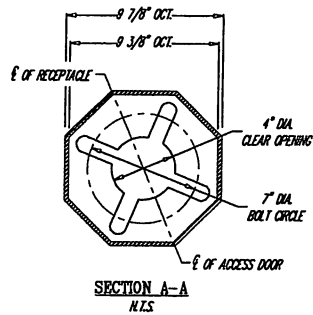
This drawing is property of Spring City Elect. Mfg. and is issued to the recipient with the understanding that it shall not be copied, duplicated, passed on to unauthorized parties, nor used for any purpose other than that for which it is specifically furnished except with Spring City's written permission.




LAMP POST SPECIFICATIONS

STYLE:	WAYZATA
HEIGHT:	12'-0"
LIGHT CENTER:	13'-4 1/2"
BASE:	9 7/8" FLAT TO FLAT
MATERIAL:	
SHAFT:	4" STANDARD SCH. 40 ALUMINUM PIPE (4 1/2" O.D.)
BASE:	CAST ALUMINUM ALLOY A.H.S.I. 356 PER A.S.T.M. B26-95
FINISH:	PRIME PAINT THEN FINISH PAINT, SHERWIN WILLIAMS
	ACROLYN - DARK BRONZE
ACCESS DOOR:	LOCATED IN BASE SECURED WITH TEMPER PROOF
	HEX SOCKET SECURITY MACHINE SCREWS
GROUND STUD PROVISIONS:	DRILL AND TAP INSIDE WALL OF BASE OPPOSITE ACCESS DOOR
	TO ACCOMMODATE A 1/4"-20 GROUND STUD (STUD BY OTHERS)
ANCHOR BOLTS:	(4) 3/4" DIA. X 2 1/2" X 3" HOOK (FULLY GALVANIZED WITH 2
	GALVANIZED NUTS AND 2 GALVANIZED WASHERS PER BOLT)
BOLT PROJECTION:	3" REQUIRED
TENON:	2 7/8" DIA. X 3" HIGH TENON (TO ACCEPT LUMINAIRE)

△ QUANTITY 12 REQUIRED
 ANCHOR BOLTS REQUIRED
 PER S.O. #: 170072



△ REVISED BY: B.K.R.	DATE: 02-15-07
△ REVISED BY: B.K.R.	DATE: 05-03-06
 Spring City Electrical Mfg. Co. <small>HALL AND MAIN STREETS - P.O. BOX 19 - SPRING CITY, PA. 19475 - PHONE (610) 548-4000 FAX (610) 548-5577</small>	

PROJECT HISTORY QUANTITY - 10 REV'D ANCHOR BOLTS NOT REV'D PER S.O. # 150114 △ QUANTITY - 15 REV'D ANCHOR BOLTS REV'D PER S.O. # 16229	DESCRIPTION	THE WAYZATA 12'-0" POST		
	CUSTOMER	CITY OF OHIOSSO, MI		
	JOB	CITY OF OHIOSSO, MI		
	SCALE	DRAWN BY:	DATE	DRAWING NO.
	N.T.S.	B.K.R.	03-14-05	LP-26518